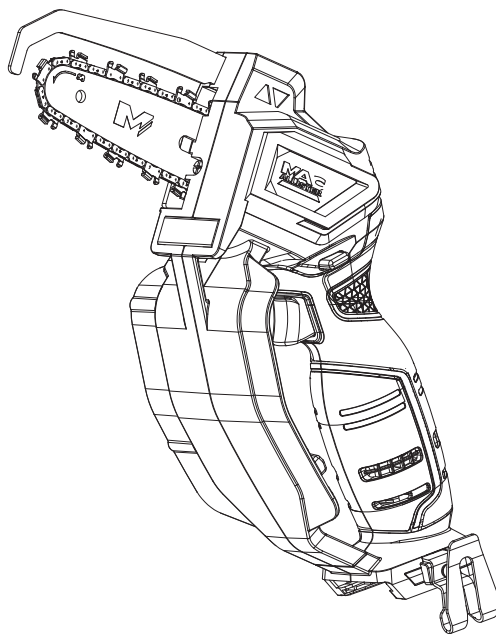


Cordless Garden Saw 18V



MGS1815-Li

EAN: 5059340487861 / 5059340487878

TTI936GDO

EAN: 5059340487885 / 5059340487892

Original Instructions – MGS1815-Li / TTI936GDO_GB_V10323



WARNING: Read the instructions before using the product.

Let's get started...

These instructions are for your safety. Please read through them thoroughly before use and retain them for future reference.



Getting **Started**... 02

Safety information	03
Your product	14
Before you start	17



In more **detail**... 24

Product functions	24
Operation	25
Care and maintenance	28
Troubleshooting	32
Recycling and disposal	33
Guarantee	34
Declaration of conformity	44

Safety warnings

General power tool safety warnings



WARNING! Read all safety warnings, instructions, illustrations and specifications. Failure to follow all instructions listed below may result in electric shock, fire and/or serious injury. Save all warnings and instructions for future reference. The term “power tool” in the warnings refers to your mains-operated (corded) power tool or battery-operated (cordless) power tool.

Work area safety

1. **Keep work area clean and well lit.** *Cluttered or dark areas invite accidents.*
2. **Do not operate power tools in explosive atmospheres, such as in the presence of flammable liquids, gases or dust.** *Power tools create sparks which may ignite the dust or fumes.*
3. **Keep children and bystanders away while operating a power tool.** *Distractions can cause you to lose control.*

Electrical safety

1. **Power tool plugs must match the outlet. Never modify the plug in any way. Do not use any adapter plugs with earthed (grounded) power tools.** *Unmodified plugs and matching outlets will reduce risk of electric shock.*
2. **Avoid body contact with earthed or grounded surfaces, such as pipes, radiators, ranges and refrigerators.** *There is an increased risk of electric shock if your body is earthed or grounded.*
3. **Do not expose power tools to rain or wet conditions.** *Water entering a power tool will increase the risk of electric shock.*
4. **Do not abuse the cord. Never use the cord for carrying, pulling or unplugging the power tool. Keep cord away from heat, oil, sharp edges or moving parts.** *Damaged or entangled cords increase the risk of electric shock.*
5. **When operating a power tool outdoors, use an extension cord suitable for outdoor use.** *Use of a cord suitable for outdoor use reduces the risk of electric shock.*
6. **If operating a power tool in a damp location is unavoidable, use a residual current device (RCD) protected supply.** *Use of an RCD reduces the risk of electric shock.*

Personal safety

1. **Stay alert, watch what you are doing and use common sense when operating a power tool. Do not use a power tool while you are tired or under the influence of drugs, alcohol or medication.** *A moment of inattention while operating power tools may result in serious personal injury.*
2. **Use personal protective equipment. Always wear eye protection.** *Protective equipment such as dust mask, non-skid safety shoes, hard hat, or hearing protection used for appropriate conditions will reduce personal injuries.*
3. **Prevent unintentional starting. Ensure the switch is in the off-position before connecting to power source, picking up or carrying the tool.** *Carrying power tools with your finger on the switch or energising power tools that have the switch on invites accidents.*
4. **Remove any adjusting key or wrench before turning the power tool on.** *A wrench or a key left attached to a rotating part of the power tool may result in personal injury.*
5. **Do not overreach. Keep proper footing and balance at all times.** *This enables better control of the power tool in unexpected situations.*
6. **Dress properly. Do not wear loose clothing or jewellery. Keep your hair and clothing away from moving parts.** *Loose clothes, jewellery or long hair can be caught in moving parts.*
7. **If devices are provided for the connection of dust extraction and collection facilities, ensure these are connected and properly used.** *Use of dust collection can reduce dust-related hazards.*
8. **Do not let familiarity gained from frequent use of tools allow you to become complacent and ignore tool safety principles.** *A careless action can cause severe injury within a fraction of a second.*

Power tool use and care

1. **Do not force the power tool. Use the correct power tool for your application.** *The correct power tool will do the job better and safer at the rate for which it was designed.*
2. **Do not use the power tool if the switch does not turn it on and off.** *Any power tool that cannot be controlled with the switch is dangerous and must be repaired.*
3. **Disconnect the plug from the power source and/or remove the battery pack, if detachable, from the power tool before making any adjustments, changing accessories, or storing power tools.** *Such preventive safety measures reduce the risk of starting the power tool accidentally.*
4. **Store idle power tools out of the reach of children and do not allow persons unfamiliar with the power tool or these instructions to operate the power tool.** *Power tools are dangerous in the hands of untrained users.*

5. **Maintain power tools and accessories.** Check for misalignment or binding of moving parts, breakage of parts and any other condition that may affect the power tool's operation. If damaged, have the power tool repaired before use. *Many accidents are caused by poorly maintained power tools.*
6. **Keep cutting tools sharp and clean.** *Properly maintained cutting tools with sharp cutting edges are less likely to bind and are easier to control.*
7. **Use the power tool, accessories and tool bits etc. in accordance with these instructions, taking into account the working conditions and the work to be performed.** *Use of the power tool for operations different from those intended could result in a hazardous situation.*
8. **Keep handles and grasping surfaces dry, clean and free from oil and grease.** *Slippery handles and grasping surfaces do not allow for safe handling and control of the tool in unexpected situations.*

Battery tool use and care

1. **Recharge only with the charger specified by the manufacturer.** *A charger that is suitable for one type of battery pack may create a risk of fire when used with another battery pack.*
2. **Use power tools only with specifically designated battery packs.** *Use of any other battery packs may create a risk of injury and fire.*
3. **When battery pack is not in use, keep it away from other metal objects, like paper clips, coins, keys, nails, screws or other small metal objects that can make a connection from one terminal to another.** *Shorting the battery terminals together may cause burns or a fire.*
4. **Under abusive conditions, liquid may be ejected from the battery; avoid contact. If contact accidentally occurs, flush with water. If liquid contacts eyes, additionally seek medical help.** *Liquid ejected from the battery may cause irritation or burns.*
5. **Do not use battery pack or tool that is damaged or modified.** *Damaged or modified batteries may exhibit unpredictable behaviour resulting in fire, explosion or risk of injury.*
6. **Do not expose a battery pack or tool to fire or excessive temperature.** *Exposure to fire or temperature above 130 °C may cause explosion.*
7. **Follow all charging instructions and do not charge the battery pack or tool outside the temperature range specified in the instructions.** *Charging improperly or at temperatures outside the specified range may damage the battery and increase the risk of fire.*

Service

1. **Have your power tools serviced by a qualified repair person using only identical replacement parts.** *This will ensure that safety of the power tool is maintained.*
2. **Never service damaged battery packs.** *Service of battery packs should only be performed by the manufacturer or authorized service providers.*

Additional safety instructions for garden saw

1. The garden saw is designed for cutting branches. Only use the garden saw as indicated in this instruction manual for cutting wood. The product has not been designed for continuous, professional use.
2. Children shall not play with the product. Keep the garden saw out of reach of children. It is not a toy.
3. Persons with limited physical, sensorial or mental abilities are not allowed to use the garden saw, unless they are supervised for their safety by a qualified person or are briefed by the responsible person how to use the product.
4. Children and adolescents are not allowed to use the garden saw. Excluded from this prohibition are young people over 16 years of age under the supervision of an expert for the purpose of training.
5. Please note the warning symbols. They mark all those instructions which are important for safety reasons. Observe these instructions as failure to do so could result in serious injury!
6. The garden saw must be used only by one person at a time. Make sure bystanders do not stay in the vicinity of the garden saw's work area.
7. Check the safe operating condition of the garden saw, in particular the guide bar and the saw chain, before each operation.
8. Always have a safe stand when working with the garden saw.
9. Hold the garden saw firmly and securely when switching on.
10. Make sure the guide bar and the saw chain must be free when switched on and must not come into contact with the workpiece to be cut.
11. Keep your hands away from the sawing area. Do not reach under the workpiece. Contact with the saw chain may result in serious injury.
12. Guide the garden saw onto the workpiece only when switched on. Otherwise there is a risk of kickback if the saw chain gets caught in the workpiece.
13. When sawing, the base plate must always face against the workpiece. The saw chain can become jammed and lead to loss of control over the product.
14. When the cut is completed, switch off the product and then pull the saw chain out of the cut only after it has come to a standstill. This way you can avoid kickback.
15. Clamp the material to be processed well. Do not support the workpiece with your hand or foot. Do not touch objects or the floor with the saw running.
Danger of kickback.

16. When sawing converted timber and thin branches always use a strong support, such as a sawing trestle. Do not stack timber pieces.
17. Before cutting logs, secure the logs in position.
18. When working on sloping ground, make sure to work facing upwards.
19. Be particularly careful when cutting splintered wood. Splinters of wood can be torn along by the saw chain and increase the risk of injury!
20. Foreign objects such as nails, screws, metal parts, sand, etc. lead to increased wear on the guide bar and saw chain.
21. A blunt saw chain can cause overheating and damage to the motor.
22. Always pull out the battery when checking the chain tension, to re-tighten it, to mount the saw chain and to eliminate faults! Also remove the battery if you do not use the product temporarily.
23. For better performance, the ambient temperature for tool and battery use should be at a room temperature (5°C to 35°C).
24. Always remove the battery pack and store the tool at a room temperature (19°C to 25°C).

Safety instructions for garden saw

General garden saw safety warnings:

1. **Keep all parts of the body away from the saw chain when the garden saw is operating. Before you start the garden saw, make sure the saw chain is not contacting anything.** *A moment of inattention while operating garden saw may cause entanglement of your clothing or body with the saw chain.*
2. **Hold the garden saw by insulated gripping surfaces only, because the saw chain may contact hidden wiring.** *Saw chains contacting a "live" wire may make exposed metal parts of the power tool "live" and could give the operator an electric shock.*
3. **Wear eye protection. Further protective equipment for hearing, head, hands, legs and feet is recommended.** *Adequate protective equipment will reduce personal injury from flying debris or accidental contact with the saw chain.*
4. **Do not operate a garden saw in a tree, on a ladder, from a rooftop, or any unstable support.** *Operation of a garden saw in this manner could result in serious personal injury.*
5. **Always keep proper footing and operate the garden saw only when standing on fixed, secure and level surface.** *Slippery or unstable surfaces may cause a loss of balance or control of the garden saw.*
6. **When cutting a limb that is under tension be alert for spring back.** *When the tension in the wood fibres is released, the spring loaded limb may strike the operator and/or throw the garden saw out of control.*
7. **Use extreme caution when cutting brush and saplings.** *The slender material may catch the saw chain and be whipped toward you or pull you off balance.*

8. **Carry the garden saw by the main handle with the garden saw switched off and away from your body. When transporting or storing the garden saw, always fit the guide bar cover.** *Proper handling of the garden saw will reduce the likelihood of accidental contact with the moving saw chain.*
9. **Follow instructions for lubricating, chain tensioning and changing the bar and chain.** *Improperly tensioned or lubricated chain may either break or increase the chance for kickback.*
10. **Cut wood only. Do not use garden saw for purposes not intended. For example: do not use garden saw for cutting metal, plastic, masonry or nonwood building materials.** *Use of the garden saw for operations different than intended could result in a hazardous situation.*
11. **This garden saw is not intended for tree felling.** *Use of the garden saw for operations different than intended could result in serious injury to the operator or bystanders.*
12. **Follow all instructions when clearing jammed material, storing or servicing the garden saw. Make sure the switch is off and the battery pack is removed.** *Unexpected actuation of the garden saw while clearing jammed material or servicing may result in serious personal injury.*
13. **Keep handles dry, clean, and free from oil and grease.** *Greasy, oily handles are slippery causing loss of control.*
14. Only use replacement guide bars and saw chains specified by the manufacturer or equivalent replacements. Using non-approved cutting attachments can result in personal injuries and damage to property.
15. Before using the product and after any impact or dropping, check for signs of wear or damage and repair as necessary.
16. Never remove or modify any guard or safety component. Ensure that guards and other safety components necessary for product operation are in position, in good working condition and properly maintained to avoid injuries.
17. Training of all operation is necessary for first-time and inexperienced operator.

Causes and operator prevention of kickback

Kickback may occur when the nose or tip of the guide bar touches an object, or when the wood closes in and pinches the saw chain in the cut.

Tip contact in some cases may cause a sudden reverse reaction, kicking the guide bar up and back towards the operator.

Pinching the saw chain along the top of the guide bar may push the guide bar rapidly back towards the operator.

Either of these reactions may cause you to lose control of the saw which could result in serious personal injury. Do not rely exclusively upon the safety devices built into your saw. As a product user, you should take several steps to keep your cutting jobs free from accident or injury.

Kickback is the result of garden saw misuse and/or incorrect operating procedures or conditions and can be avoided by taking proper precautions as given below:

1. **Maintain a firm grip, with thumb and fingers encircling the garden saw handle and position your body and arm to allow you to resist kickback forces.** *Kickback forces can be controlled by the operator, if proper precautions are taken. Do not let go of the product.*
2. **Do not overreach and do not cut above shoulder height.** *This helps prevent unintended tip contact and enables better control of the garden saw in unexpected situations.*
3. **Only use replacement guide bars and saw chains specified by the manufacturer.** *Incorrect replacement guide bars and saw chains may cause chain breakage and/or kickback.*
4. **Follow the manufacturer's sharpening and maintenance instructions for the saw chain.** *Decreasing the depth gauge height can lead to increased kickback.*

Additional safety warnings for battery pack

1. **Battery pack needs to be charged before use.** *Always refer to the charger's instruction and charge it properly.*
2. **Remove the battery pack from the product when not in use.**
3. **Don't maintain the battery pack on the charger when not in use.**
4. **After extended periods of storage, it may be necessary to charge and discharge the battery pack several times to obtain the maximum performance.**
5. **Longer life and better performance can be obtained if the battery is charged when the air temperature is between 18°C and 24°C.** *Do not charge the battery in air temperature below 5°C or above 40°C. This is important as it can prevent serious damage to the battery.*
6. **Do not charge battery in a damp or wet location.** *Following this rule will reduce the risk of electric shock.*
7. **Do not disassemble the battery and avoid mechanical damage to the battery. Risk of short circuit and fumes may be emitted.** *Ensure fresh air and seek medical assistance in the event of discomfort.*
8. **When disposing of battery pack, keep the battery pack of different electrochemical systems separate from each other.**
9. Do not connect the positive terminal and negative terminal of the battery to each other with any metal object (such as wire).
10. Do not carry or store battery together with necklaces, hairpins or other metal objects.
11. Do not pierce the battery with nails, strike the battery with a hammer, step on the battery or otherwise subject it to strong impacts or shocks.
12. Do not solder directly onto the battery.
13. Do not expose battery to water or salt water, or allow the battery to get wet.
14. Do not disassemble or modify the battery.

15. Do not place the battery in or near fire, on stoves or other high temperature locations. Do not place the battery in direct sunlight, or use or store the battery inside cars in hot weather.
16. Do not place the battery in microwave ovens, highpressure containers or on induction cookware.
17. If you intend to store a battery for a period without use then store battery at room temperature (19°C to 25°C), charged to about 30 – 50% of capacity. When storing for very long periods boost charge the battery once per year to prevent over discharge.

Vibration and noise reduction

To reduce the impact of noise and vibration emission, limit the time of operation, use low-vibration and lownoise operating modes as well as wear personal protective equipment.

Take the following points into account to minimize the vibration and noise exposure risks:

1. Only use the product as intended by its design and these instructions.
2. Ensure that the product is in good condition and well maintained.
3. Use correct attachments for the product and ensure they are in good condition.
4. Keep tight grip on the handles/grip surface.
5. Maintain this product in accordance with these instructions and keep it well lubricated (where appropriate).
6. Plan your work schedule to spread any high vibration tool use across a longer period of time.
7. Prolonged use of the product exposes the user to vibrations that can cause a range of conditions collectively known as hand-arm vibration syndrome (HAVS) e.g. fingers going white; as well as specific diseases such as carpal tunnel syndrome. To reduce this risk when using the product, always wear protective gloves and keep your hands warm.

Emergency

Familiarise yourself with the use of this product by means of this instruction manual. Memorise the safety directions and follow them to the letter. This will help to prevent risks and hazards.

1. **Always be alert when using this product, so that you can recognise and handle risks early.** *Fast intervention can prevent serious injury and damage to property.*
2. **Switch off and disconnect from the power supply if there is any malfunction.** *Have the product checked by a qualified specialist and repaired, if necessary, before you put it into operation again.*

Residual risks

Even if you are operating this product in accordance with all the safety requirements, potential risks of injury and damage remain. The following dangers can arise in connection with the structure and design of this product:

1. Health defects resulting from vibration emission if the product is being used over long periods of time or not adequately managed and properly maintained.
2. Injuries and damage to property due to broken application tools or the sudden impact of hidden objects during use.
3. Danger of injury and property damage caused by flying objects.



WARNING! This product produces an electromagnetic field during operation! This field may under some circumstances interfere with active or passive medical implants! To reduce the risk of serious or fatal injury, we recommend persons with medical implants to consult their doctor and the medical implant manufacturer before operating this product!

Symbols

On the product, the rating label and within these instructions you will find among others the following symbols and abbreviations. Familiarise yourself with them to reduce hazards like personal injuries and damage to property.

V	Volt, (direct current voltage)	mAh	Milliampere per hour
/min or min ⁻¹	Per minute	°C	Degree Celsius
g	Gram	kg	Kilogram
mm	Millimetre	m	Metre
cm	Centimetre	m/s ²	Metres per second squared
dB(A)	Decibel (A-rated)	yyWxx	Manufacturing date code; year of manufacturing (20yy) and week of manufacturing (Wxx)
	Lock / to tighten or secure.		Unlock / to loosen.



Caution / Warning.



Read the instruction manual.



Note/Remark.



Wear hearing protection.



Wear eye protection.



Wear a dust mask.



Wear head protection, where there is a risk of falling objects.



Wear protective gloves.



Wear protective, slip-resistant footwear.



Wear tight-fitted protective clothes.



Use appropriate protection for foot-leg and hand-arm.



Switch the product off and remove battery pack before assembly, cleaning, adjustments, maintenance, storage and transportation.



This product is of protection class III.



Do not expose the product to rain or wet conditions (moisture).



Keep hands away from moving cutting device!



Objects thrown by the product could hit the user or other bystanders. Always ensure that other people and pets remain at a safe distance from the product when it is in operation. In general, children must not come near the area where the product is. Minimum distance is 10 m.



Contact of the guide bar tip with any object should be avoided.



Correct direction of cutting-teeth.



Cutting of fingers or hand.



WEEE symbol. Waste electrical products should not be disposed of with household waste. Please recycle where facilities exist. Check with your Local Authority or local store for recycling advice.



Crossed out dust bin. Batteries and battery packs should not be disposed of with household waste. Please recycle where facilities exist. Check with your Local Authority or local store for recycling advice.



Do not dispose of battery packs in rivers or immerse in water.



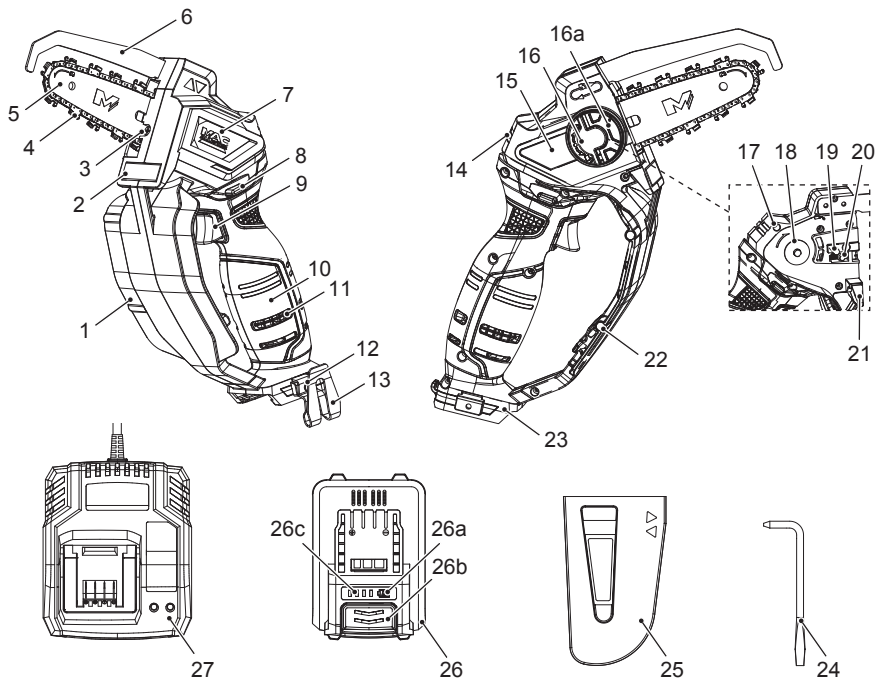
Do not dispose of battery packs in fire. They will explode and cause injury.



Do not expose battery packs to heat in excess of 40°C. Do not charge or store the battery pack in temperatures below 5°C (41°F) and above 40°C (104°F).



The product complies with the applicable European directives and an evaluation method of conformity for these directives was done.



- | | |
|-------------------------|--------------------------------|
| 1. Hand guard | 16. Locking wheel |
| 2. Base plate | a. Ring handle |
| 3. Tension screw | 17. Location hole |
| 4. Saw chain | 18. Drive sprocket |
| 5. Guide bar | 19. Mounting bolt |
| 6. Riving knife | 20. Tension pin |
| 7. Gear housing | 21. Chain catcher |
| 8. Lock-off button | 22. Tool holder |
| 9. On/off switch | 23. Battery docking port |
| 10. Handgrip | 24. Multi-tool |
| 11. Air vents for motor | 25. Guide bar cover |
| 12. Fixing screw | 26. Battery pack |
| 13. Belt clip | a. Battery capacity button |
| 14. Air vents for gear | b. Release button |
| 15. Sprocket cover | c. Battery capacity indicators |
| a. Spigot* | 27. Charger |



NOTE: Parts marked with * are not shown in this overview. Please refer to the respective part in the instruction manual.

Technical specifications

General :

- > **Rated voltage** : 18 V ---
- > **Rated no load speed n_0** : 3200 min^{-1}
- > **Weight** : approx. 1.51 kg
- > **Dimensions** : approx. 16.5 x 11.5 x 40 cm

Saw chain and guide bar :

- > **Saw chain type** : C-1-4
- > **Guide bar type** : B-156
- > **Guide bar length** : 156 mm (6")
- > **Max. cutting length** : 11 cm
- > **Chain pitch** : 6.35 mm (1/4")
- > **Chain gauge** : 1.1 mm (0.043")
- > **Drive sprocket** : 7 teeth x 25 mm
- > **Max. chain speed** : 4.7 m/s

Battery pack :

- > **Model no.** : MBAT18-2
- > **Type** : Li-Ion, 5 x 3.6 V ---
- > **Capacity** : 2000 mAh
- > **Voltage** : 18 V ---
- > **Weight** : approx. 0.39 kg

Charger for battery pack :

- > **Model no.** : MC18
- > **Rated output** : 21.4 V --- , 2.4 A

Usable battery pack (sold separately) :

- > **Model no.** : MBAT18-4 | MBAT18-5 | MDVB36-4
- > **Capacity** : 4000 mAh | 5000 mAh | 8000 mAh

Usable charger (sold separately) :

- > **Model no.** : MFC18 | MFC36
- > **Rated output** : 21.4 V --- , 4 A | 21 V --- , 8 A
- > **Ambient temperature range for charger and battery use** : 5°C to 40°C

Sound values :

- > **Sound pressure level L_{pA}** : 78.47 dB(A)
- > **Uncertainty K_{pA}** : 3 dB(A)
- > **Sound power level L_{WA}** : 89.47 dB(A)
- > **Uncertainty K_{WA}** : 3 dB(A)

Hand arm vibration values :

- > **Cutting wood a_h** : 1.463 m/s²
- > **Uncertainty K** : 1.5 m/s²

The sound intensity level for the operator may exceed 80 dB(A) and ear protection measures are necessary.

The declared vibration total values and the declared noise emission values have been measured in accordance with a standard test method (EN 62841-1) and may be used for comparing one tool with another; they may also be used in a preliminary assessment of exposure.



WARNING! The vibration and noise emissions during actual use of the power tool can differ from the declared values depending on the ways in which the tool is used especially what kind of workpiece is processed; and need to identify safety measures to protect the operator that are based on an estimation of exposure in the actual conditions of use (taking account of all parts of the operating cycle such as the times when the tool is switched off and when it is running idle in addition to the trigger time).

Rating label explanation

Cordless garden saw: MGS1815-Li

M = MAC Allister

GS = Garden saw

18 = Rated voltage (V)

15 = Chain bar length (cm)

Li = Lithium-Ion

Battery pack: MBAT18-2

M = MAC Allister

BAT= Battery

18 = Battery output voltage (V)

2 = Battery capacity (Ah)

Charger: MC18

M = MAC Allister

C = Charger

18 = Battery output voltage

Unpacking

1. Unpack all parts and lay them on a flat, stable surface.
2. Remove all packing materials and shipping devices if applicable.
3. Make sure the delivery contents are complete and free of any damage. If you find that parts are missing or show damage do not use the product but contact your dealer. Using an incomplete or damaged product represents a hazard to people and property.
4. Ensure that you have all the accessories and tools needed for assembly and operation. This also includes suitable personal protective equipment.



WARNING! The product and the packaging are not children's toys! Children must not play with plastic bags, sheets and small parts! There is a danger of choking and suffocation!

You will need

(items not supplied)

- > Suitable personal protective equipment
- > Grease for sprocket wheel
- > Oiler
- > Sharpening set (chain file)

(items supplied)

- > Saw chain (4)
- > Guide bar (5)
- > Belt clip (13)
- > Multi-tool (24)
- > Guide bar cover (25)
- > Battery pack (26)
- > Charger (27) and its manual



NOTE: The accessories required depend on the intended application. Ask your dealer for advice.

Setup



WARNING! The product must be fully assembled before operation!

Do not use a product that is only partly assembled or assembled with damaged parts!



Follow the assembly instructions step-by-step and use the pictures provided as a visual guide to easily assemble the product!

Before using the product, familiarise yourself with the operating features read the entire instruction manual paying particular attention to the safety rules and operating procedures.

Do not connect the product to battery pack (26) before it is completely assembled!



NOTE: Remove the multi-tool (24) from the tool holder (22) for assembly and save it back to the tool holder (22) after use.

Take care of small parts that are removed during assembly or when making adjustments. Keep them secure to avoid loss.

Saw chain and guide bar

Assemble the guide bar (5) and saw chain (4) before operation.

Use only the guide bar (5) and saw chain (4) according to the technical parameter of this product.



WARNING! The cutting edges of the saw chain (4) are sharp! Always wear protective gloves when handling chain!



1. Place the product on a suitable flat surface.
2. Lift the ring handle (16a) and unscrew the locking wheel (16) anticlockwise, then remove it together with the sprocket cove (15) from the mounting bolt (19) (Fig. 1, steps 1, 2, 3).
3. Spread the saw chain (4) out with the cutting edges of the chain pointing in the direction of rotation.
Slide the saw chain (4) into the groove around the guide bar (5). Ensure saw chain (4) is installed in correct direction of rotation (Fig. 2).

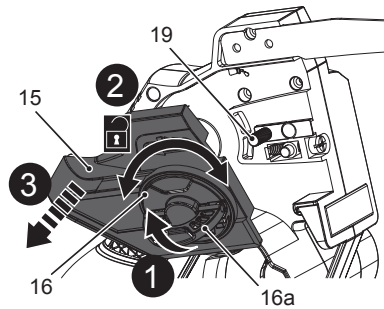


Fig. 1



WARNING! The direction of the saw chain 'cutters' must be same as indicated by the symbol and arrow on the guide bar (5)!

4. Align the saw chain (4) and guide bar (5) assembly with the drive sprocket (18) and the mounting bolt (19). Lay the saw chain (4) around the drive sprocket (18) and then lower the guide bar (5) to install it to the mounting bolt (19) (Fig. 3).
5. Make sure the tension pin (20) is inserted into the lower hole on the guide bar (5). Screwing the tension screw (3) in to adjust the tension pin (20) to the end of slot using the supplied multi-tool (24) if necessary (Fig. 3, steps 1, 2).

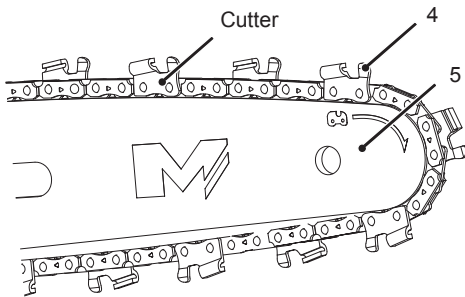


Fig. 2

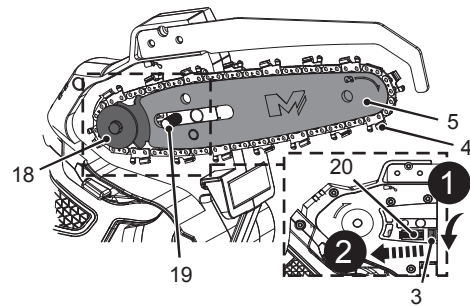


Fig. 3



WARNING! The direction of the saw chain 'cutters' must be as indicated by the symbol and arrow on the guide bar! Ensure the guide bar and saw chain are properly assembled in correct direction; otherwise the saw chain cannot work.

6. Screw the tension screw (3) clockwise out to adjust the tension pin (20) / guide bar (5) towards the right to tighten the saw chain (4) using the supplied multi-tool (24) (Fig. 4, steps 1, 2).

7. Align the spigot (15a) with the location hole (17) and place the sprocket cover (15) over the mounting bolt (19) (Fig. 4, step 3).
8. Refit the sprocket cover (15) and slightly tighten the locking wheel (16) clockwise (Fig. 4, step 4). Ensure that the spigot (15a) engages correctly in the location hole (17). Do not tighten the locking wheel (16) completely as saw chain tensioning is required first.
9. Place down the ring handle (16a) on the locking wheel (16) afterwards (Fig. 4, step 5).

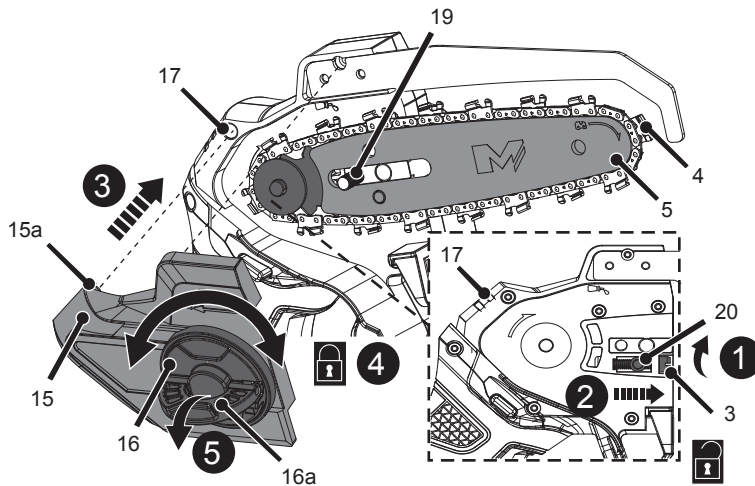


Fig. 4



NOTE: The saw chain (4) has not yet been tensioned. Tension the chain as described under "Saw chain tensioning". After operating the product for approx. 1 hour, adjust the chain tension again.

Saw chain tensioning

Always check the saw chain tension before use, after the first cuts and regularly during use, approx. every five cuts. Upon initial operation, new chains can lengthen considerably. This is normal during the break-in period and the interval between future adjustments will lengthen quickly.



WARNING! Remove the battery pack (26) before adjusting saw chain tension!



The cutting edges of the saw chain (4) are sharp! Always wear protective gloves when handling chain!



Always maintain proper chain tension! A loose chain increases the risk of kickback! A loose chain may jump out of the guide bar groove! This may injure the operator and damage the chain! A loose chain will cause rapid wear to the chain, guide bar and sprocket!

Tensioning the chain too tightly will overload the motor and cause damage, and insufficient tension can cause chain derailing, whereas a correctly tightened chain provides the best cutting characteristics and prolonged working life! The chain life mainly depends upon sufficient lubrication and correct tensioning!

1. Place the product on a suitable surface with the sprocket cover (15) facing forwards.
2. Check the chain tension using one hand to lift the saw chain (4) against the weight of the product. The correct chain tension is achieved when the saw chain can be lifted by approximately 1-2 mm from the guide bar (5) in the centre (Fig. 5, 6).

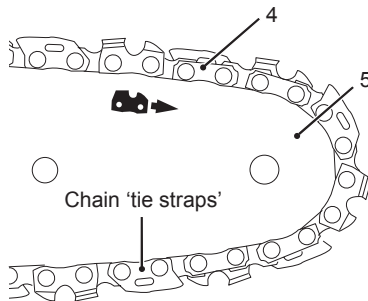


Fig. 5

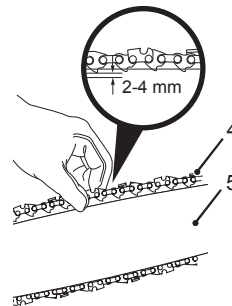


Fig. 6

3. Adjust the tension if you find that the saw chain (4) is too loose or tight.
4. Slightly loosen the locking wheel (16), then screw the tension screw (3) in or out to adjust the tension pin (20) / guide bar (5) towards the left or right until the chain 'tie straps' are just touching the bottom edge of the guide bar (5), hold it in the position.
5. Pull the saw chain (4) along the top of the guide bar (5) by gloved hand from one end to the other, several times. The saw chain (4) should feel tight but still move freely.
6. After the adjustment, re-tighten the locking wheel (16).

Belt clip

Attaching the belt clip

1. Unscrew the fixing screw (12) anti-clockwise from the battery docking port (23) using the supplied multi-tool (24) (Fig. 7, step 1).
2. Align and attach the belt clip (13) properly to the slot of battery docking port (23) (Fig. 7, step 2).
3. Tighten the screw (12) clockwise to secure the connection using the supplied multi-tool (24) (Fig. 7, step 3).
4. The belt clip (13) can be hooked on your belt or pocket, etc (Fig. 8).

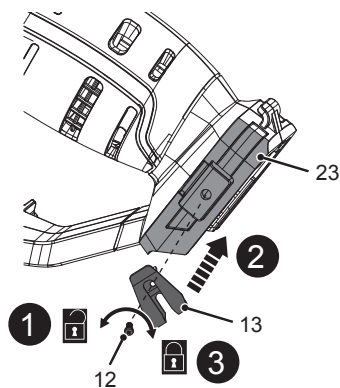


Fig. 7

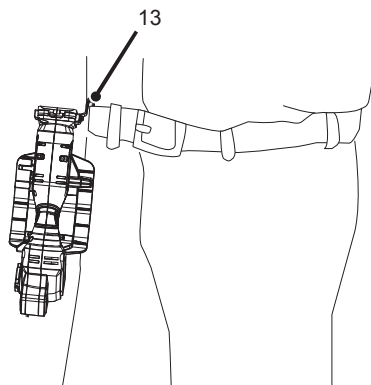


Fig. 8



WARNING! When the garden saw is attached to the belt, position yourself to avoid entanglement with surrounding objects.

Battery pack

Attaching / releasing the battery pack

1. Align the battery pack (26) with the sliding slots of the battery docking port (23) and slide the battery pack (26) in to attach it. Ensure it clicks in place (Fig. 9).
2. Press the release button (26b), then remove the battery pack (26) from the battery docking port (23) (Fig. 10).

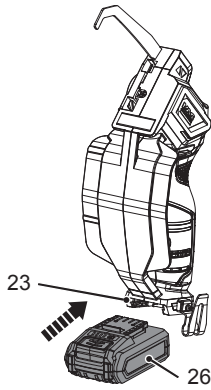


Fig. 9

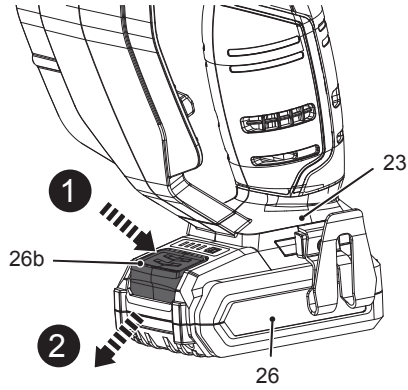


Fig. 10

Charging the battery pack

The battery pack (26) for this product has been shipped in a low charge condition. Charge it fully before first use.

Refer to the charger’s instruction manual (MC18) for the details.

Battery capacity indicators

The battery pack (26) is equipped with the battery capacity indicators (26c) which are used to give an indication of the battery pack’s remaining capacity. Press the battery capacity button (26a) to check battery capacity (Fig. 11). The LEDs will stay lit for approximately 5 seconds.

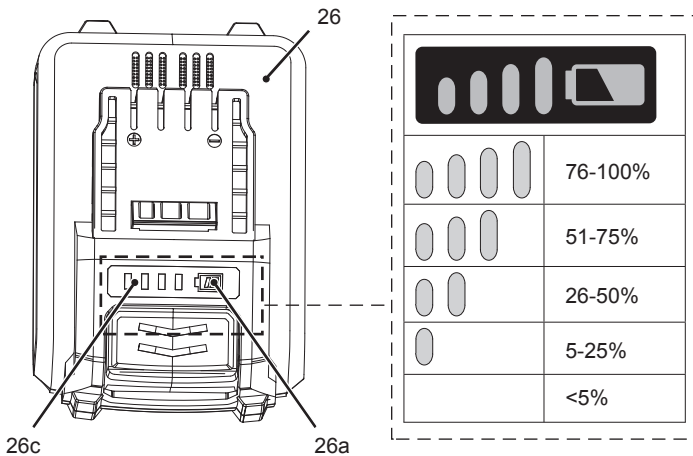


Fig. 11

Intended use

This cordless garden saw MGS1815-Li / TTI936GDO is designated with a rated voltage of 18 V --- . It is designed only to be used with the battery pack which is listed in the chapter of "Technical specifications".

The garden saw has been exclusively designed for cutting branches with a thickness of max. 11 cm.

It must not be used for cutting other materials, such as plastic, stone, metal, wood that contains foreign objects, or materials that are harmful to health. This product should not be used outside of domestic premises, e.g. for cutting firewood in forested areas. The product may only be used with the guide bar/saw chain combination stated within these instructions. It is not permitted to use other types or sizes.

Any use beyond these parameters (different media, applying force) or any changes (reconstruction, no original accessory) can lead to serious risks and is regarded as use that is contrary to the intended purpose.

This product should not be used outside of domestic premises e. g. for cutting firewood in forested areas.

The use of this product in case of rain or humid environment is prohibited.

For safety reasons it is essential to read the entire instruction manual before first operation and to observe all the instructions therein.

This product is intended for private domestic use only, not for any commercial trade use. It must not be used for any purposes other than those described.

On/off switch

1. Press the lock-off button (8) and hold it in position (Fig. 12, step 1).
2. Squeeze the on/off switch (9) to switch the product on (Fig. 12, step 2). Release the lock-off button afterward.
3. Release the on/off switch (9) to switch the product off.

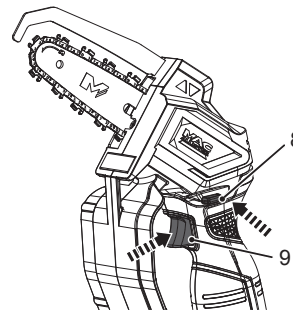


Fig. 12



WARNING! The garden saw will continue to work for some time even after the motor has been switched off! Wait until it comes to a complete stop before you put the product down!

General operation

1. Check the product, its battery pack and charger as well as accessories for damage before each use. Do not use the product if it is damaged or shows wear. Take care of any problem you find or have the product checked by qualified specialist.
2. Double checked that the accessories and attachments are properly fixed.
3. Lubricate the saw chain regularly.
4. Always hold the product on its handles. Keep the handles dry and free from lubricant to ensure safe support.
5. Ensure that the air vents are always unobstructed and clear. Clean them if necessary with a soft brush. Blocked air vents may lead to overheating and damage the product.
6. Switch the product off immediately if you are disturbed while working by other people entering the working area. Always let the product come to complete stop before putting it down.
7. Do not overwork yourself. Take regular breaks to ensure you can concentrate on the work and have full control over the product.
8. Before switching the product on, check whether it has been assembled correctly and all the moving parts are running smoothly!
9. While working, ensure that the product does not strike hard objects, as this can cause damage.

Basic operating / cutting procedure



WARNING! Garden saw by their very nature are extremely dangerous machines and should be handled with respect!

We strongly recommend that before use of this product, you attend a garden saw training course to familiarise yourself with the maintenance and usage of these products!

Thoroughly read this manual and adhere to all safety instructions at all times. Manufacturer will not be held liable for any accidents / injuries caused due to misuse or incorrect maintenance of this product!

1. To become proficient attend a recognised garden saw training course to learn how to operate garden saw safely and effectively. Familiarise yourself with all the controls and switches. Practise all movements with the product switched off.
2. Use an oiler to oil the saw chain (4) and the drive sprocket (18) before performing any cut.

Basic operating / cutting procedure



NOTE: Chain lubricating oil:

- Only use commercially available, biodegradable chain oils.
- Do not use engine oil, waste oil or other mineral oils.
- If the garden saw makes a rattling noise, the saw chain must be lubricated.

3. Ensure the saw chain (4) is running at full speed before it makes contact with the wood. Use base plate (2) to secure the product onto the wood before starting to cut and use it as a leverage point while cutting (Fig. 13).
4. Never reach over the riving knife (6) or under the base plate (2). There is a risk of injury!
5. Do not start to run the product if the saw chain (4) is in contact with the workpiece, is in the workpiece or may hit an object. This can lead to serious injuries.
6. Clamp loose workpieces before cutting them. Remove foreign objects such as nails, screws, etc.
7. When cutting a branch that is under tension be alert for spring back. When the tension in the wood fibre is released, the spring-loaded limb may strike the operator and/or throw the garden saw out of control.
8. Use extreme caution when cutting brush and saplings. The slender material may catch the saw chain and be whipped toward you or pull you off balance.
9. When the saw chain is running, first place the base plate (2) on the surface of the workpiece and let the saw cut on its own. Apply only light pressure to the saw. The chain speed should not be much slower.
10. Do not force the saw chain while cutting, let the chain do the work, using the gripping teeth to apply minimal leverage pressure.
11. Do not operate the product with arms fully extended or attempt to saw areas which are difficult to reach, or on the ladder. Never use the product above shoulder height.
12. Optimum sawing is achieved if the chain speed remains constant during cutting.
13. Be careful when reaching the end of the cut. The weight of the product may change unexpectedly as it cuts free from the wood. This can cause accidents to the body. Always remove the product from a wood cut while the product is running.

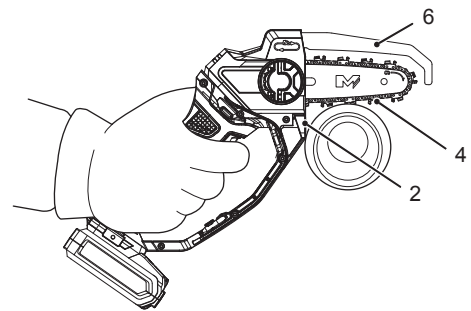


Fig. 13

Kickback



WARNING! Beware of kickback! Kickback can lead to dangerous loss of control of the product and result in serious or fatal injury to the operator or anyone standing close by! Always be alert because rotational kickback and pinch kickback are major product operational dangers and the leading cause of most accidents!

The shape of the riving knife (6) largely eliminates the risk of kickback. The garden saw is optimally protected against kickback by the riving knife with tip protection. Never remove the riving knife (6). There is a risk of injury! Maintain a firm grip with your thumbs and fingers encircling the handgrip (10). A firm grip will help you reduce 'kickback' and maintain control of the product. You should carefully read all safety warnings and user instructions carefully before attempting to operate this product.

To avoid kickback:

1. Saw with guide bar at a flat angle.
2. Never work with a loose, widely stretched or the heavily worn out chain.
3. Ensure chain is sharpened correctly.
4. Never saw above shoulder height.
5. Never work with the tip of the guide bar.
6. Always hold the product firmly on its handgrip (10).
7. Always use a low kickback chain.
8. Apply the base plate (2) for leverage the work piece.
9. Ensure correct chain tension.
10. Do only cut with the motor at high speeds.
11. Follow manufacturer's sharpening and maintenance instructions for the saw chain.
12. Only use replacement guide bars and saw chains specified by the manufacturer or equivalent replacements.



WARNING! Most 'kickback' accidents happen during limbing! Pay close attention to the position of the 'kickback' zone of the guide bar when you are 'limbing' branches that are under tension!

After use

1. Switch the product off, remove the battery back (26) and let it cool down.
2. Attach the guide bar cover (25) to the saw chain (4) if necessary.
3. Check, clean and store the product as described below.

The golden rules for care



WARNING! Always switch the product off, remove the battery pack (26) and let the product cool down before performing inspection, maintenance and cleaning work!

1. Keep the product clean. Remove debris from it after each use and before storage.
2. Regular and proper cleaning will help ensure safe use and prolong the life of the product.
3. Inspect the product before each use for worn and damaged parts. Do not operate it if you find broken and worn parts.



WARNING! Only perform repairs and maintenance work according to these instructions! All further works must be performed by a qualified specialist!

General cleaning

1. Clean the product with a damp cloth and pH-neutral soap. Use a brush for areas that are hard to reach.
2. In particular clean the air vents (11, 14) after every use with a cloth and brush.
3. Remove stubborn dust with high pressure air (max. 3 bar).
4. Clean the drive sprocket (18) area with a brush (Fig. 14).

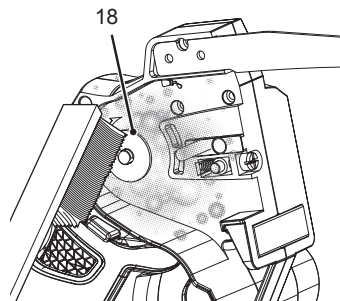


Fig. 14



NOTE: Do not use chemical, alkaline, abrasive or other aggressive detergents or disinfectants to clean this product as they might be harmful to its surfaces.

5. Check for any damage and wear. Repair damages in accordance with this instruction manual or take it to an authorised service centre before using the product again.

Guide bar and saw chain maintenance

Guide bar

Most guide bar problems can be prevented merely by keeping the product well maintained. Incorrect filling and non-standard cutter and depth gauge settings are the causes of most guide bar problems, primarily resulting in uneven bar wear.

As the bar wears unevenly, the rails widen, which may cause the chain to clatter and make it difficult to complete straight cuts. If the guide bar is insufficiently lubricated and the product is operated with a saw chain which is too tight, this will contribute to rapid bar wear. To help minimise bar wear, maintenance of the guide bar as well as the saw chain is recommended.

1. Disassemble the guide bar (5) and saw chain (4) in reversed order from assembly.
2. Check the drive sprocket (18). If it is worn or damaged due to strain, have it replaced by an authorised service agent or a similarly qualified person.
3. Clear residue from the rails on the guide bar (5) by using a screwdriver, putty knife, wire brush or other similar tool. This will keep the oil passages open to provide proper lubrication to the guide bar (5) and saw chain (4) (Fig. 15).

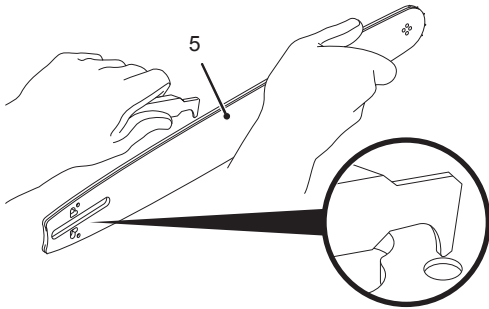


Fig. 15

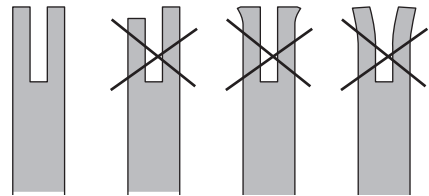


Fig. 16

4. Check the guide bar 'rail' for wear: Hold a ruler (straight edge) against the side of the guide bar and 'cutter side plates'. If there is a gap between the ruler and guide bar the guide bar 'rail' is normal. If there is no gap (ruler flush against the side of the guide bar) the guide bar 'rail' is worn and needs to be replaced with a new one of the same type (Fig. 16).

5. Check the saw chain for possible wear and damages. Replace it with a new one if required. Experienced user can sharpen a dull saw chain (see section “Saw chain sharpening” below).
6. Refit the ssw chain (4) and the guide bar (5) as described under “Assembly”.

Saw chain sharpening



NOTE: Never saw with a blunt chain. The saw chain is blunt if you have to push the product into the tree and the chips are very small..

1. Have the saw chain (4) sharpened professionally at an authorised service centre or sharpen the chain yourself by using a proper sharpening kit. Also observe the sharpening instructions supplied with the sharpening kit.



WARNING! Only sharpen the saw chain yourself if you are trained and have experience! Use proper tools to sharpen the saw chain!

2. The height difference between the tooth and the ridge is the cutting depth. When sharpening the saw chain (4) you have to consider the following points (Fig. 17).

- File angle
- Cutting angle
- File position
- Diameter of round file
- File depth

3. To sharpen the chain proceed as follows:
 - Use protective gloves.
 - Ensure the chain is correctly tensioned.
 - Engage the chain brake to lock the chain on the bar.
4. Use a chain file, whose diameter is 1.1 times the cutting tooth depth. Make sure 20% of the file diameter is above the cutter's top plate.

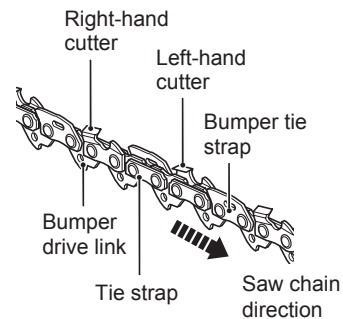


Fig. 17



NOTE: A file guide is available from most reputable tool merchants and is the easiest way to hold the file at the correct position.

5. File at an angle perpendicular to the bar, and at an angle of 25° to the direction of travel (Fig. 18).
6. File each tooth from the inside towards outside only. File one side of the chain first than turn the saw around and repeat the process.
7. Sharpen each tooth equally by using the same number of strokes.
8. Keep all cutter lengths equal. Check the safety depth gauge height every 5 sharpenings. If the depth gauges are also trimmed it is essential that the original profile be restored.
9. Use a depth gauge measuring instrument to check the height of the depth gauge. Depth gauge measuring jigs are available from most reputable tool merchants (Fig. 19).

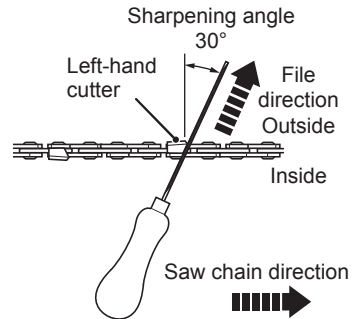


Fig. 18

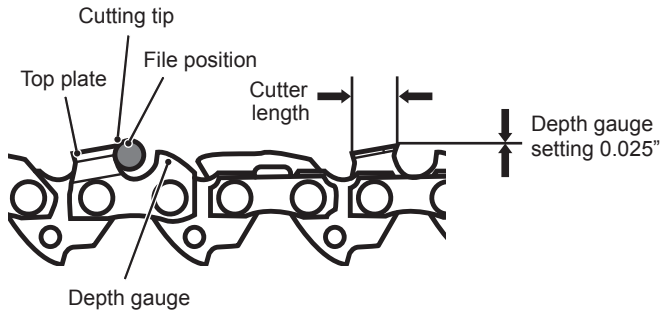


Fig. 19

Repair

This product does not contain any parts that can be repaired by the consumer. Contact an authorised service centre or a similarly qualified person to have it checked and repaired.

Storage

1. Switch the product off and remove the battery pack.
2. Clean the product as described above.
3. Insert the multi-tool (24) into the slot of tool holder (22) for storage.
4. Attach the guide bar cover (25) to the saw chain (4) if necessary.
5. Store the product and its accessories in a dark, dry, frost-free, well-ventilated place.

6. Always store the product in a place that is inaccessible to children. The ideal storage temperature is between 10°C and 30°C.
7. We recommend using the original package for storage or covering the product with a suitable cloth or enclosure to protect it against dust.
8. Charge the battery pack (26) before long-time's storage.

Transportation

1. Switch the product off remove the battery pack (26).
2. Attach the guide bar cover (25) to the saw chain (4) if necessary.
3. Always carry the product by its handgrip (10).
4. Protect the product from any heavy impact or strong vibrations which may occur during transportation in vehicles.
5. Secure the product to prevent it from slipping or falling over.

Troubleshooting

Suspected malfunctions are often due to causes that the users can fix themselves. Therefore check the product using this section. In most cases the problem can be solved quickly.



WARNING! Only perform the steps described within these instructions! All further inspection, maintenance and repair work must be performed by an authorised service centre or a similarly qualified specialist if you cannot solve the problem yourself!

Problem	Possible cause	Solution
1. Product does not start	1.1. Battery pack is not properly attached	1.1. Attach properly
	1.2. Battery pack is discharged	1.2. Remove and charge battery pack
	1.3. Battery pack is too hot	1.3. Remove and let it cool
	1.4. Battery pack is damaged	1.4. Check by a specialist electrician
	1.5. Other electrical defect to the product	1.5. Check by a specialist electrician
2. Product does not reach full power	2.1. Battery pack capacity is too low	2.1. Charge battery pack
	2.2. Air vents are blocked	2.2. Clean the air vents

3. Unsatisfactory result	3.1. Saw chain not tensioned properly	3.1. Tension properly
	3.2. Saw chain is dull/damaged	3.2. Sharpen or replace the saw chain
	3.3. Saw chain is not oiled	3.3. Oil the saw chain and drive sprocket
4. Product suddenly stops	4.1. Battery pack is discharged	4.1. Remove and charge battery pack
	4.2. Battery pack is too hot	4.2. Remove battery pack and let it cool down
	4.3. Saw chain is blocked	4.3. Remove blockage
5. Excessive vibration or noise	5.1. Saw chain is dull/damaged	5.1. Replace with a new one
	5.2. Bolts/nuts are loose	5.2. Tighten bolts/nuts
	5.3. Chain oil is incorrect	5.3. Use correct oil

Recycling and disposal



Waste electrical products should not be disposed of with household waste. Please recycle where facilities exist. Check with your Local Authority or local store for recycling advice.

For further information visit www.recycle-more.co.uk.

The product comes in a package that protects it against damage during shipping. Keep the package until you are sure that all parts have been delivered and the product is working properly. Recycle the package afterwards.

Disposal of an exhausted battery pack



The battery is Li-Ion type. To preserve natural resources, please recycle or dispose of the battery pack properly. Consult your local waste authority for information regarding available recycling and / or disposal options.

Discharge your battery pack by operating your tool, then remove the battery pack from the tool and cover the battery pack connections with heavy duty adhesive tape to prevent short circuit and energy discharge.

Do not attempt to open or remove any of the components.

Guarantee

We take special care to select high quality materials and use manufacturing techniques that allow us to create products incorporating design and durability. This product (Cordless Garden Saw 18V) has a manufacturer's guarantee of 2 years against manufacturing defects, from the date of purchase (if bought in store) or date of delivery (if bought online), at no additional cost.

To make a claim under this guarantee, you must present your proof of purchase (such as a sales receipt, purchase invoice or other evidence admissible under applicable law), please keep your proof of purchase in a safe place. For this guarantee to apply, the product you purchased must be new, it will not apply to second hand or display products. Unless stated otherwise by applicable law, any replacement product issued under this guarantee will only be guaranteed until expiry of the original guarantee period.

This guarantee covers product failures and malfunctions provided the product was used for the purpose for which it is intended and subject to installation, cleaning, care and maintenance in accordance with the information contained in these terms and conditions, in the user manual and standard practice, provided that standard practice does not conflict with user manual.

This guarantee does not cover defects and damage caused by normal wear and tear or damage that could be the result of improper use, faulty installation or assembly, neglect, accident, misuse, or modification of the product. Unless stated otherwise by applicable law, this guarantee will not cover, in any case, ancillary costs (shipping, movement, costs of uninstalling and reinstalling, labour etc), or direct and indirect damage.

This guarantee does not cover defects and damage caused by or resulting from:

- Normal wear and tear
- Overload, misuse or neglect
- Repairs attempted by anyone other than an authorised agent
- Cosmetic damage
- Damage caused by foreign objects, substances or accidents
- Accidental damage or modification
- Failure to follow manufacturer's guidelines
- Loss of use of the goods

If the product is defective, we will, within a reasonable time, repair, replace or provide spare parts.

Rights under this guarantee are enforceable in the country in which you purchased this product. Guarantee related queries should be addressed to the store you purchased this product from.

The guarantee is in addition to and does not affect your statutory rights.





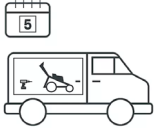
IMPORTANT - RETAIN THIS INFORMATION FOR FUTURE REFERENCE: READ CAREFULLY

Customer care and technical helpline

A better way to repair your tools

Kingfisher takes special care in creating high-quality garden power tools that are designed to last. But if a fault develops with your garden power tool and you need to claim under the guarantee, the Customer Care and Technical Helpline can support with technical assistance or if required, arrange a free courier collection from your home, assess your garden power tool for fault, repair it, and return it.

Deciding to repair your product rather than buying a replacement and adding to the mountain of waste is a more sustainable choice and you will be doing your bit for the environment.

How does it work?				
				
Step 1	Step 2	Step 3	Step 4	Step 5
Find your proof of purchase and get in touch with the Customer Care and Technical Helpline.	Chat to them about the problem with your tool.	They will provide technical and user advice or alternatively arrange a courier collection from your home.*	The team will assess and test and if necessary, repair your product back to full working order.	Your repaired tool will be returned to you via courier within 5 working days*.

Get in touch

If you need help or more information, please contact the Customer Care and Technical Helpline:

UK: 0800 0789647

Eire: 1800 932226

Opening hours are Monday – Friday, 8am-5pm

Availability of spare parts

Contact the customer service helpline for assistance or visit www.kingfishersparses.com

For assistance contact the customer services helpline:

UK 0800 0789647 uk@Kingfisherservice.com

EIRE 1800 932226 eire@kingfisherservice.com

Further information about this product can also be found at:

www.kingfisher.com/products


Manufacturer:

UK Manufacturer:

Kingfisher International Products Limited
1 Paddington Square, London, W2 1GG,
United Kingdom

EU Manufacturer:

Kingfisher International Products B.V.
Rapenburgerstraat 175E 1011 VM Amsterdam
The Netherlands

 www.diy.com
www.screwfix.com
www.screwfix.ie

To view instruction manuals online,
visit www.kingfisher.com/products